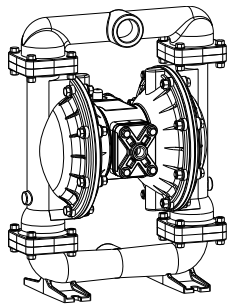


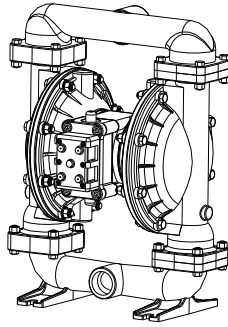
WARREN RUPP®

Quality System
ISO9001 Certified

Environmental
Management System
ISO14001 Certified



Air Inlet
Side View



Air Exhaust
Side View

SANDPIPER®

A WARREN RUPP PUMP BRAND

**S15 Metallic
Design Level 1
Ball Valve**

**Air-Operated
Double Diaphragm Pump**

ENGINEERING, PERFORMANCE
& CONSTRUCTION DATA

IDEX
FLUID & METERING

U.S. Patent #5,996,627
Other U.S. Patents Applied for



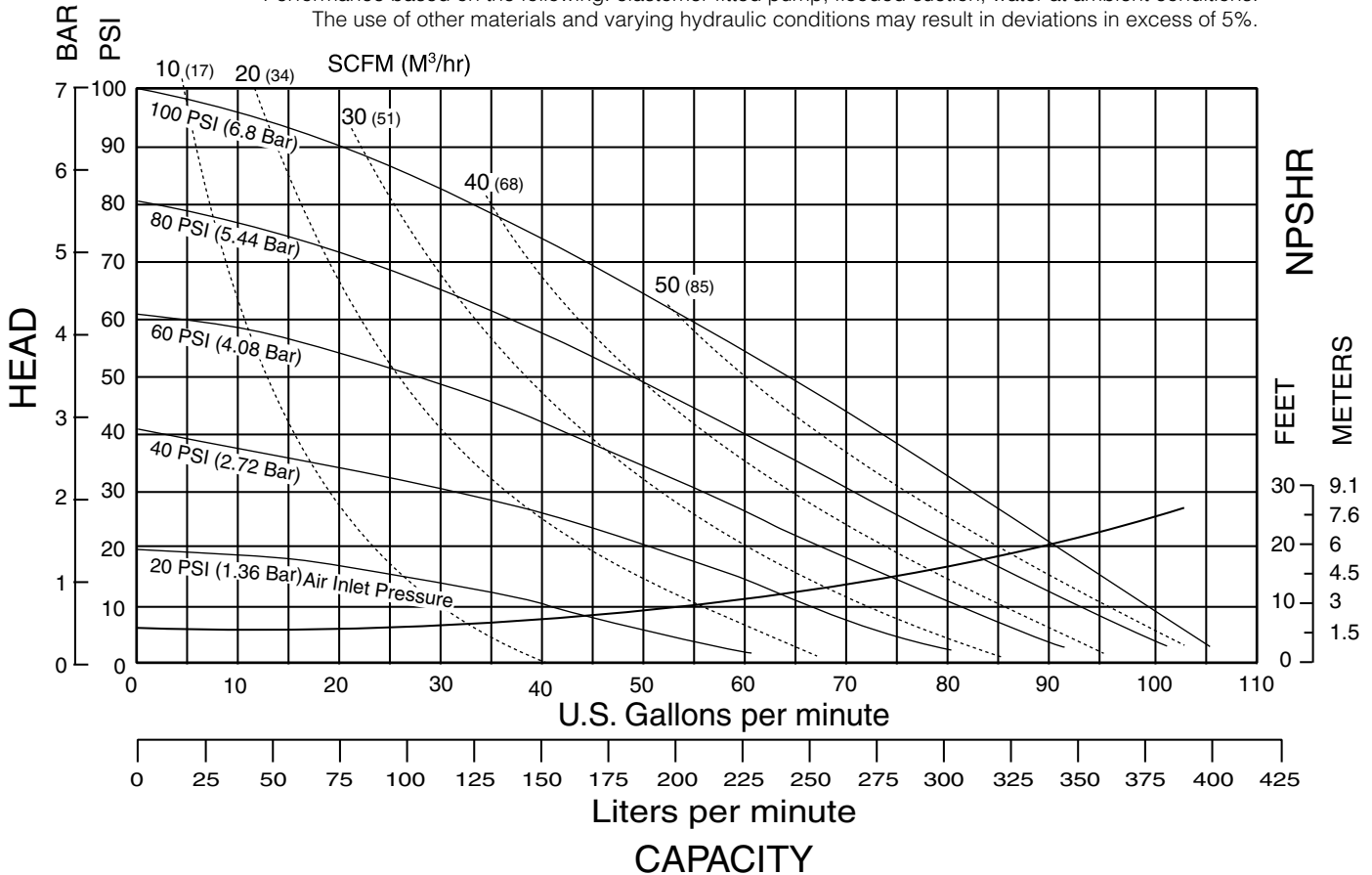
I M2 c T5
II 2GD T5



INTAKE/DISCHARGE PIPE SIZE	CAPACITY	AIR VALVE	SOLIDS-HANDLING	HEADS UP TO	DISPLACEMENT/STROKE
1½" NPT (internal) 1½" BSP Tapered (internal)	0 to 106 gallons per minute (0 to 401 liters per minute)	No-lube, no-stall design	Up to .25 in. (6mm)	125 psi or 289 ft. of water (8.6 Kg/cm ² or 86 meters)	.41 Gallon / 1.55 liter

MODEL S15 Metallic Performance Curve

Performance based on the following: elastomer fitted pump, flooded suction, water at ambient conditions.
The use of other materials and varying hydraulic conditions may result in deviations in excess of 5%.



SANDPIPER® pumps are designed to be powered only by compressed air.

Explanation of Pump Nomenclature

S15 Metallic · Design Level 1· Ball Valve

Model	Pump Brand	Pump Size	Check Valve Type	Design Level	Wetted Material	Diaphragm/Check Valve Materials	Check Valve Seat	Non-Wetted Material Options	Porting Options	Pump Style	Pump Options	Kit Options	Shipping Weight lbs. (kg)
S15B1ABWANS000.	S	15	B	1	A	B	W	A	N	S	0	00.	53 (24)
S15B1AEWANS000.	S	15	B	1	A	E	W	A	N	S	0	00.	53 (24)
S15B1AGTANS000.	S	15	B	1	A	G	T	A	N	S	0	00.	53 (24)
S15B1ANWANS000.	S	15	B	1	A	N	W	A	N	S	0	00.	53 (24)
S15B1A1WANS000.	S	15	B	1	A	1	W	A	N	S	0	00.	53 (24)
S15B1AVTANS000.	S	15	B	1	A	V	T	A	N	S	0	00.	53 (24)
S15B1IBWANS000.	S	15	B	1	I	B	W	A	N	S	0	00.	93 (42)
S15B1IEWANS000.	S	15	B	1	I	E	W	A	N	S	0	00.	93 (42)
S15B1IGTANS000.	S	15	B	1	I	G	T	A	N	S	0	00.	93 (42)
S15B1INWANS000.	S	15	B	1	I	N	W	A	N	S	0	00.	93 (42)
S15B1I1WANS000.	S	15	B	1	I	1	W	A	N	S	0	00.	93 (42)
S15B1IVTANS000.	S	15	B	1	I	V	T	A	N	S	0	00.	93 (42)
S15B1IEWANS000.	S	15	B	1	I	E	W	A	N	S	0	00.	95 (43)
S15B1SGTANS000.	S	15	B	1	S	G	T	A	N	S	0	00.	95 (43)
S15B1SNWANS000.	S	15	B	1	S	N	W	A	N	S	0	00.	95 (43)
S15B1S1WANS000.	S	15	B	1	S	1	W	A	N	S	0	00.	95 (43)
S15B1SVTANS000.	S	15	B	1	S	V	T	A	N	S	0	00.	95 (43)

Pump Brand

S= SANDPIPER®

Pump Size

15=1½"

Check Valve Type

B= Ball

W= Weighted Ball

Design Level

1= Design Level

Wetted Material

A= Aluminum

I = Cast Iron

S= Stainless Steel

H= Alloy C

Diaphragm Check Valve Materials

1= Santoprene/Santoprene

2= PTFE-Santoprene/PTFE

B= Nitrile/Nitrile

C= FKM/PTFE

E= EPDM/EPDM

I = EPDM/Santoprene

G= PTFE-Neoprene/PTFE

N= Neoprene/Neoprene

V= FKM/FKM

Z= One-Piece Bonded/PTFE

Check Valve Seat

A= Aluminum

C= Carbon Steel

S= Stainless Steel

T= PTFE

W= UHMW

Non-Wetted Material Options

A= Painted Aluminum

I = Cast Iron

J= Painted Aluminum w/PTFE Coated Hardware

S= Stainless Steel with

Stainless Steel Hardware

Y= Painted Aluminum with

Stainless Steel Hardware

Z= Cast Iron with

Stainless Steel Hardware

Porting Options

N= NPT Threads

B= BSP (Tapered) Threads

R= Raised Face 150#

Threaded ANSI Flange

Pump Style

S= Standard

Pump Options

0= None

1= Sound Dampening Muffler

2= Mesh Muffler

3= High temperature Air Valve w/Integral Muffler

4= High temperature Air Valve w/Sound Dampening Muffler

5= High temperature Air Valve w/Mesh Muffler

⚠ 6= Metal Muffler

⚠ 7= Metal Muffler with Grounding Cable

Kit Options

⚠ 00.= None

P0.= 10-30VDC Pulse Output Kit

⚠ P1.= Intrinsically-Safe 5-30VDC, 110/120VAC, 220/240VAC Pulse Output Kit

P2.= 110/120 or 220/240VAC Pulse Output Kit

E0.= Solenoid Kit with 24VDC Coil

⚠ E1.= Solenoid Kit with 24VDC Explosion-Proof Coil

E2.= Solenoid Kit with 24VAC/12VDC Coil

⚠ E3.= Solenoid Kit with 12VDC Explosion-Proof Coil

E4.= Solenoid Kit with 110VAC Coil

⚠ E5.= Solenoid Kit with 110VAC, 60 Hz Explosion-Proof Coil

E6.= Solenoid Kit with 220VAC Coil

⚠ E7.= Solenoid Kit with 220VAC, 60 Hz Explosion-Proof Coil

⚠ E8.= Solenoid Kit with 110VAC, 50 Hz Explosion-Proof Coil

⚠ E9.= Solenoid Kit with 230VAC, 50 Hz Explosion-Proof Coil

SP.= Stroke Indicator Pins



Note: Pumps are only ATEX compliant when ordered with pump options 6 or 7, and kit options 00, P1, E1, E3, E5, E7, E8 or E9.

**CAUTION! Operating temperature limitations are as follows:**

Operating Temperatures

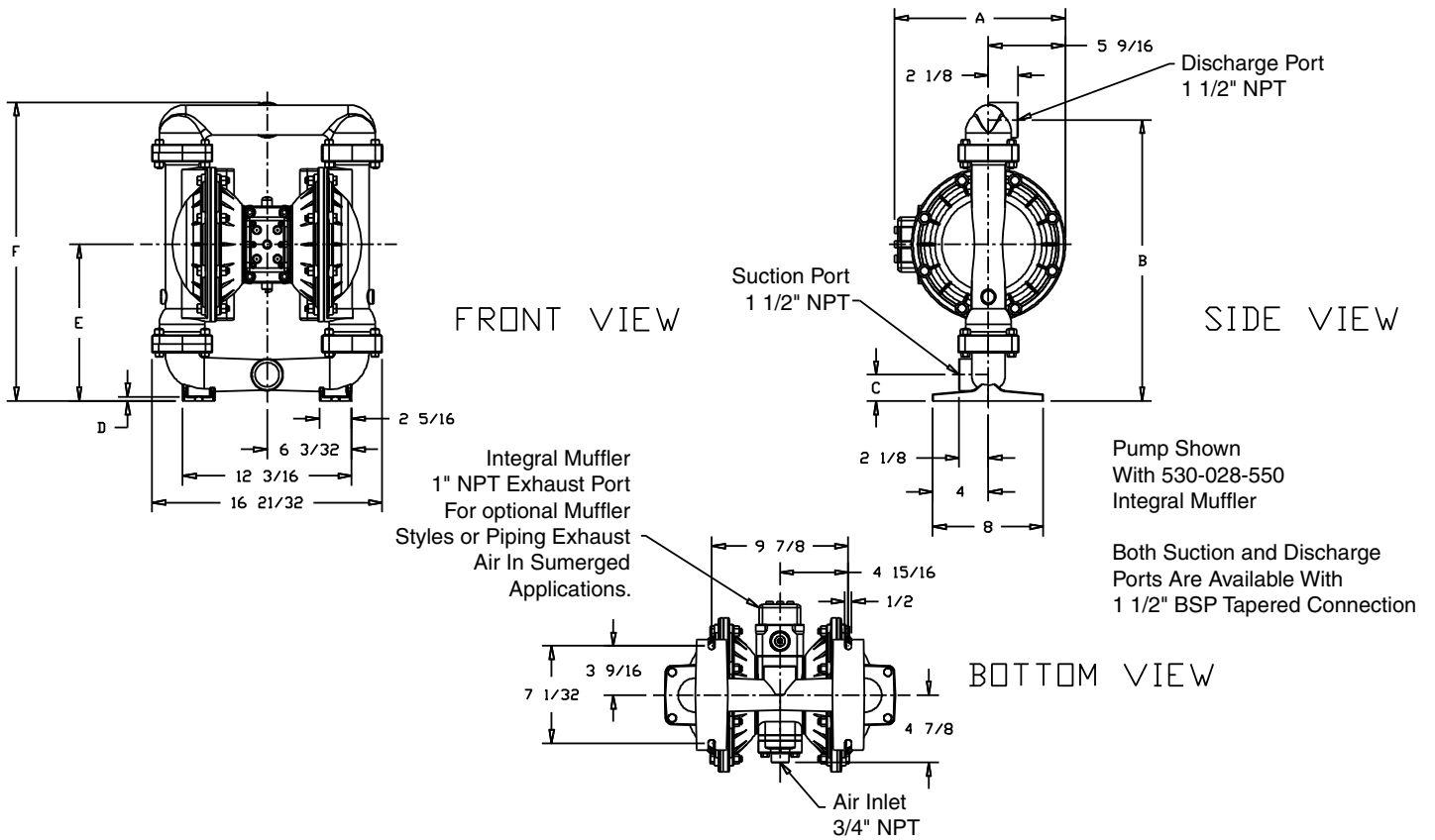
Materials	Operating Temperatures	
	Maximum	Minimum
Nitrile: General purpose, oil-resistant. Shows good solvent, oil, water and hydraulic fluid resistance. Should not be used with highly polar solvents like acetone and MEK, ozone, chlorinated hydrocarbons and nitro hydrocarbons.	190° F 88° C	-10° F -23° C
EPDM: Shows very good water and chemical resistance. Has poor resistance to oil and solvents, but is fair in ketones and alcohols.	280° F 138° C	-40° F -40° C
Neoprene: All purpose. Resistant to vegetable oil. Generally not affected by moderate chemicals, fats, greases and many oils and solvents. Generally attacked by strong oxidizing acids, ketones, esters, nitro hydrocarbons and chlorinated aromatic hydrocarbons.	200° F 93° C	-10° F -23° C
Santoprene®: Injection molded thermoplastic elastomer with no fabric layer. Long mechanical flex life. Excellent abrasion resistance.	275° F 135° C	-40° F -40° C
Virgin PTFE: Chemically inert, virtually impervious. Very few chemicals are known to react chemically with PTFE- molten alkali metals, turbulent liquid or gaseous fluorine and a few fluoro-chemicals such as chlorine trifluoride or oxygen difluoride which readily liberate free fluorine at elevated temperatures.	220° F 104° C	-35° F -37° C
FKM (Fluorocarbon): Shows good resistance to a wide range of oils and solvents; especially all aliphatic, aromatic and halogenated hydrocarbons, acids, animal and vegetable oils. Hot water or hot aqueous solutions (over 70°F) will attack FKM.	350° F 177° C	-40° F -40° C
Polypropylene:	180° F 82° C	32° F 0° C
UHMW:	180° F 82° C	-35° F -37° C

For specific applications, always consult The Warren Rupp Chemical Resistance Chart

Dimensions: S15 Metallic

Dimensions in Inches

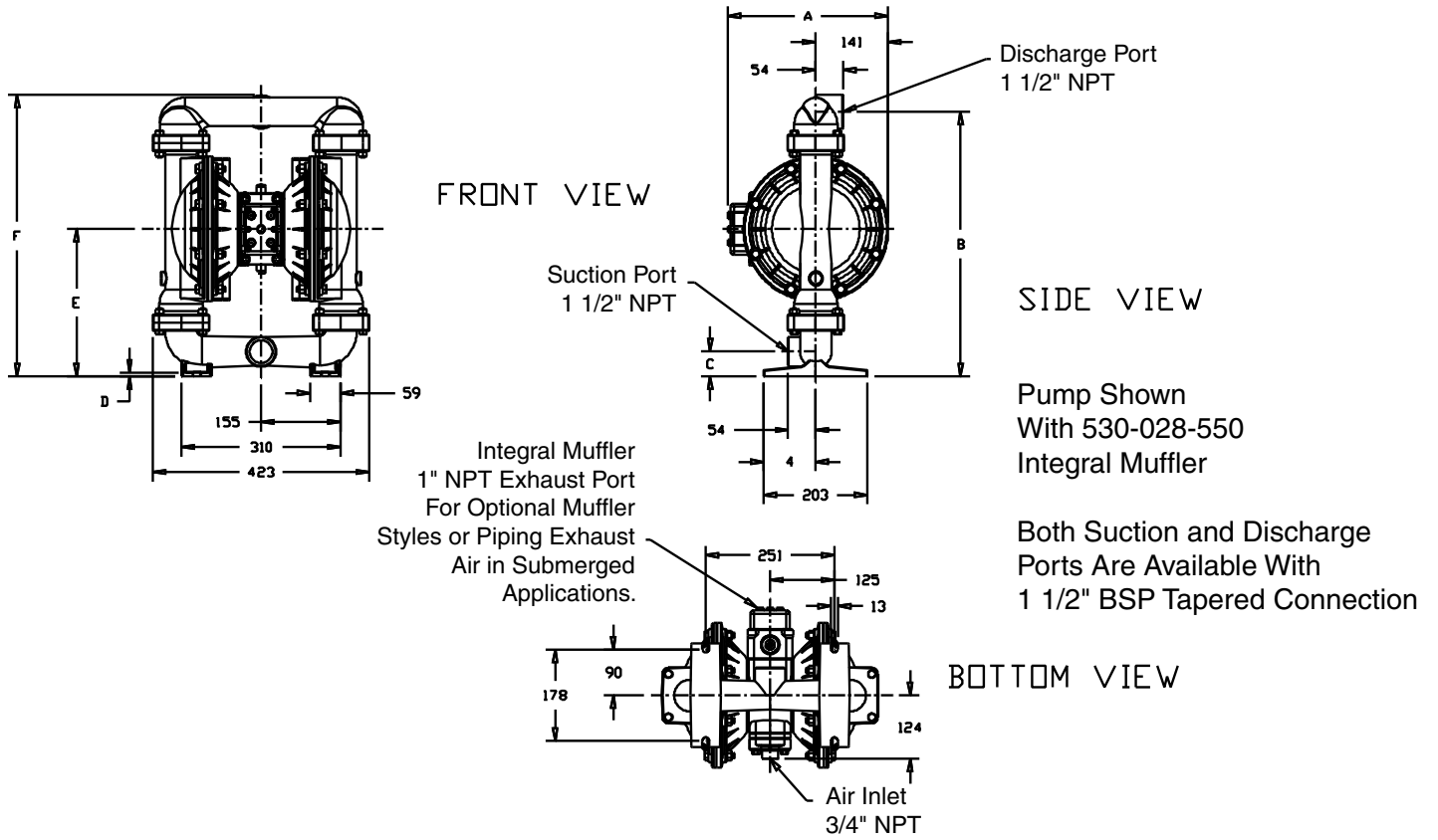
Dimensional Tolerance: $\pm 1/8"$



Dimension	A	B	C	D	E	F
Integral Muffler	12 11/32					
Pulse Output Kit	12 11/32					
Aluminum		20 5/16	1 29/32	5/16	11 5/16	21 19/32
Stainless Steel		20 3/8	1 31/32	3/8	11 3/8	21 21/32
Mesh Muffler	14 15/32					
Sound Dampening	14 15/32					
Metal Muffler	14 1/2					

Dimensions: S15 Metallic

Dimensions in Millimeters
Dimensional Tolerance: ± 3mm



Dimension	A	B	C	D	E	F
Integral Muffler	314					
Pulse Output Kit	314					
Aluminum		516	48	8	287	548
Stainless Steel		518	50	10	289	550
Mesh Muffler	379					
Sound Dampening	379					
Metal Muffler	368					